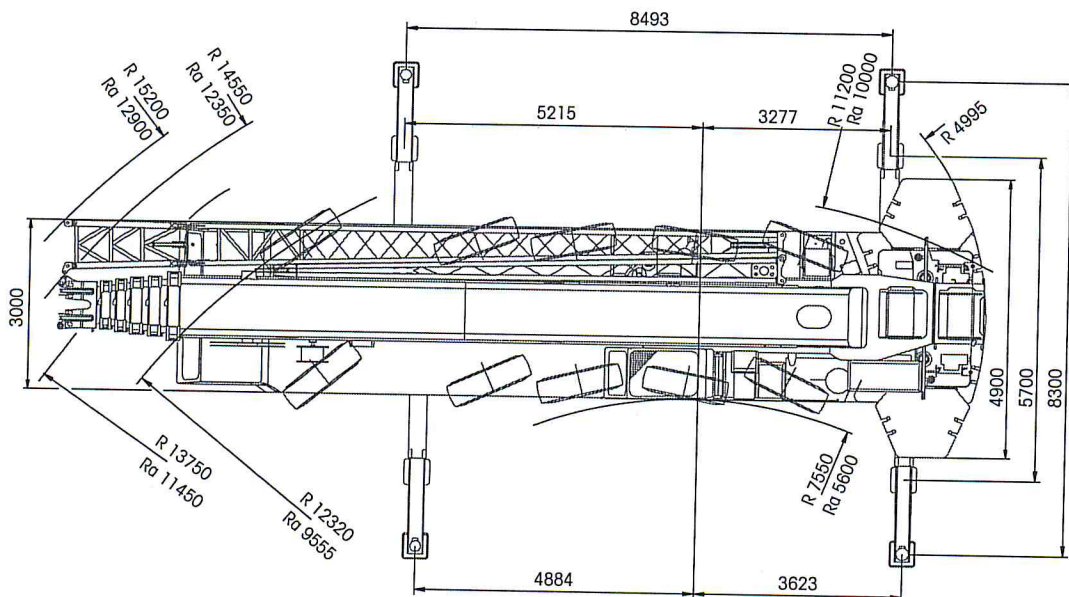
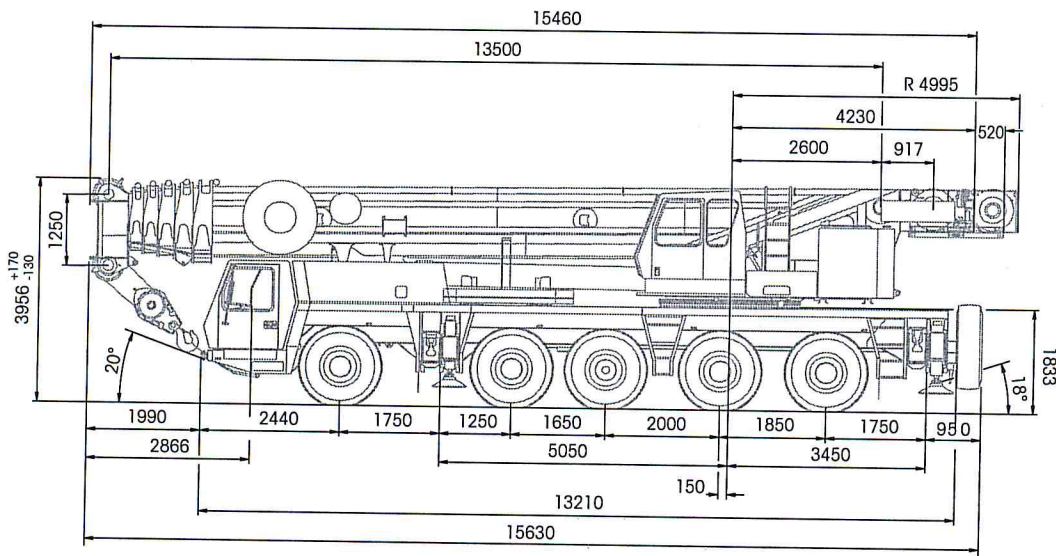


Dimensions



Ra = Radius all wheels steered

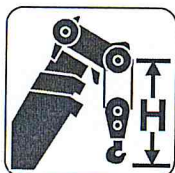
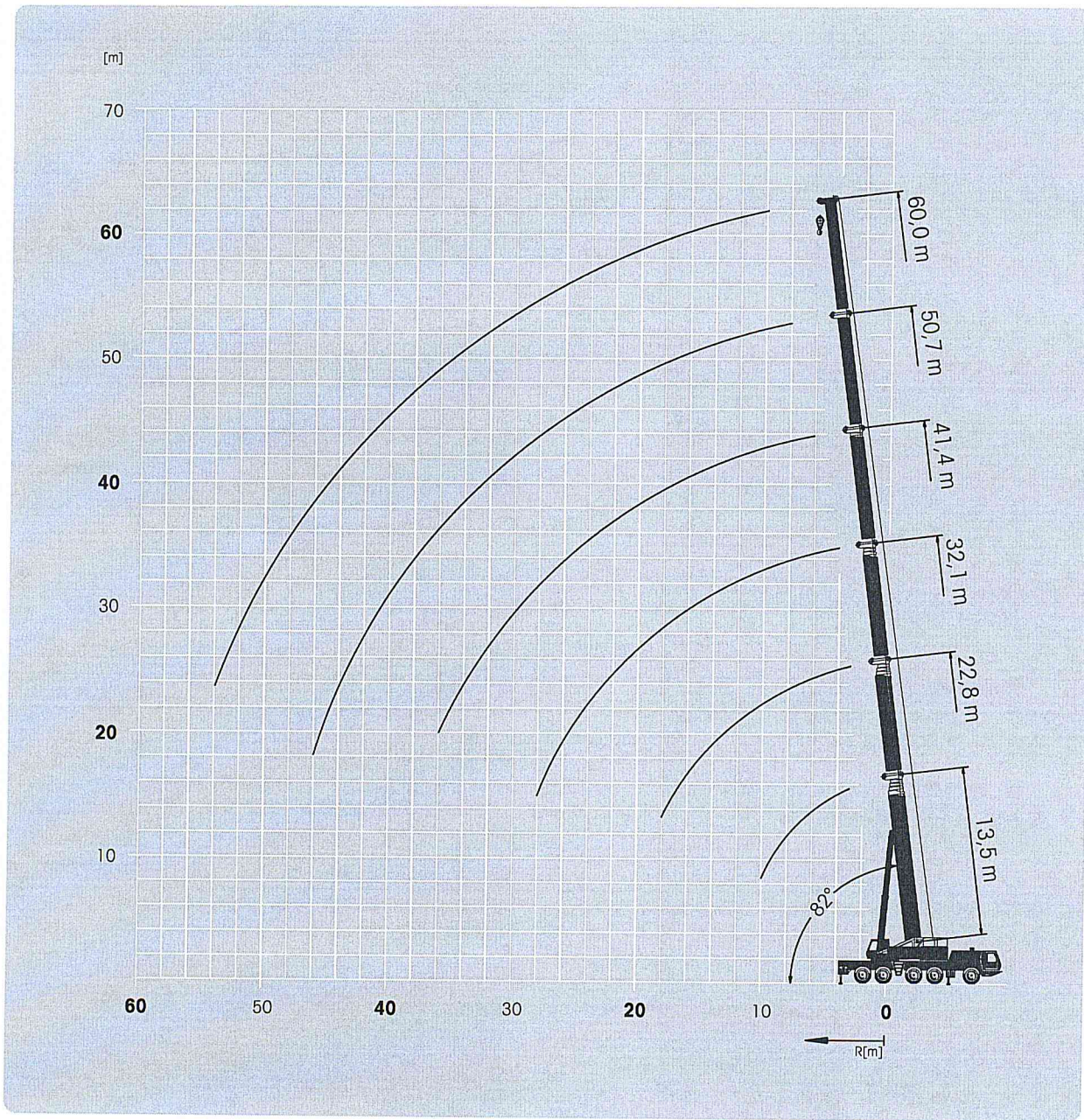
Working range



13,5 – 60,0 m



360°



Hook block •

(t)

H
(mm)

200D

3650

160D

3650

125D

3300

80D

3300

32E

3200

12 H/B

2450