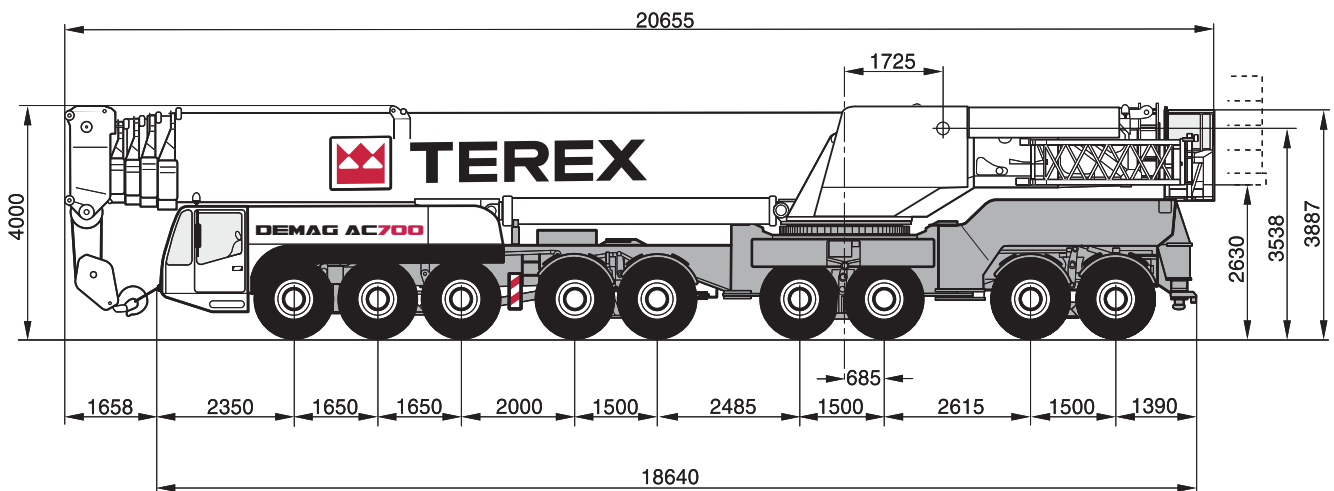




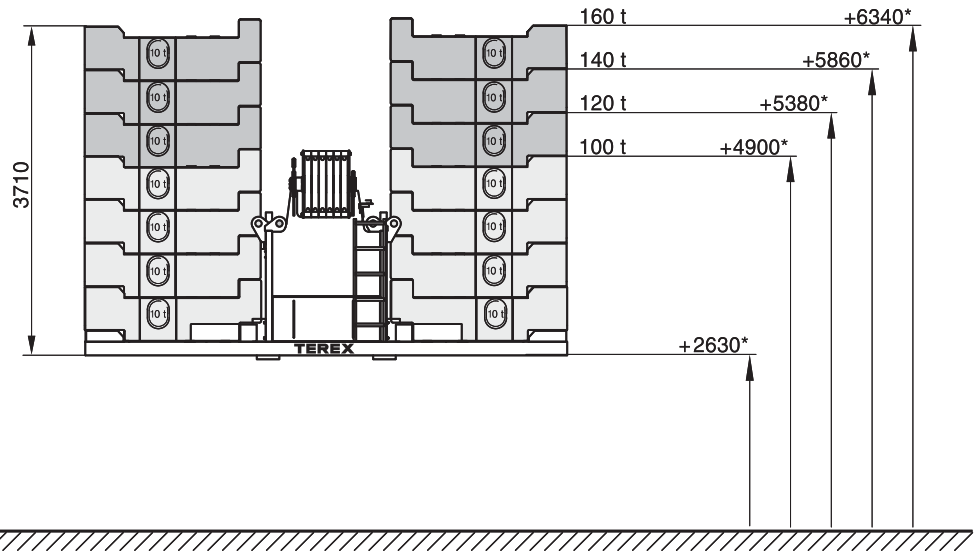
DEMAG AC700 | All Terrain Crane 700 t Lifting Capacity



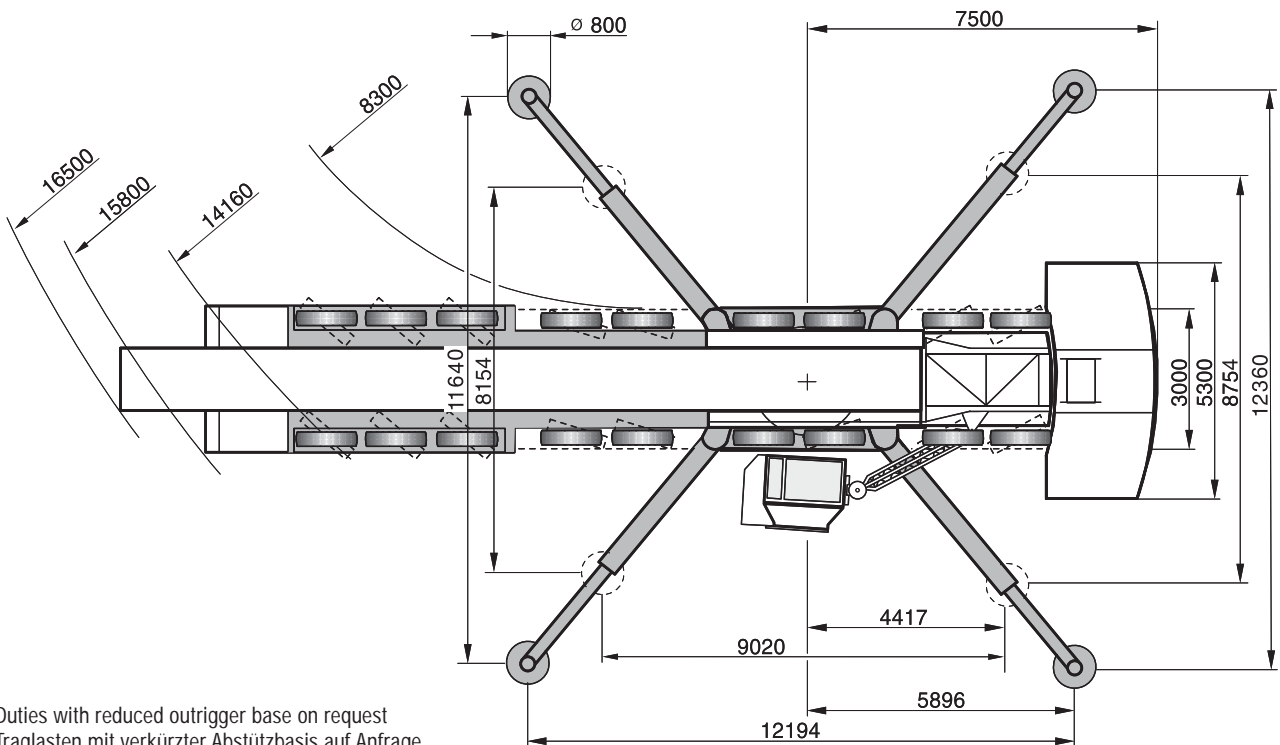
DEMAG AC700
ALL TERRAIN CRANE



DIMENSIONS · ABMESSUNGEN · ENCOMBREMENT · DIMENSIONI · DIMENSIONES

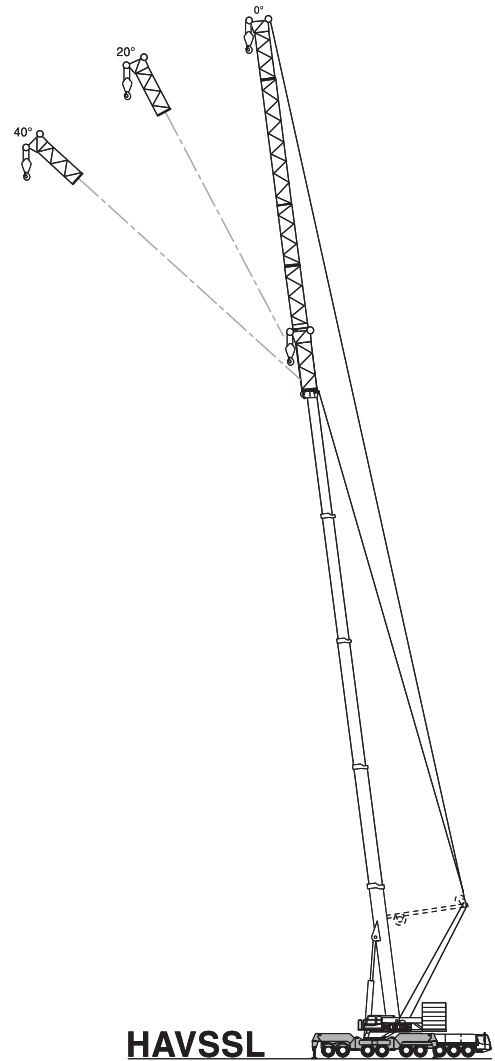
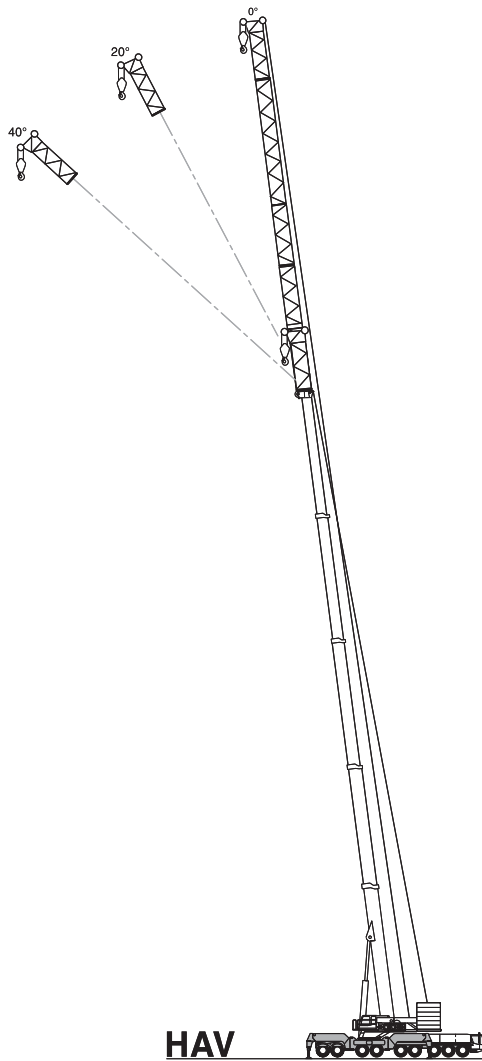
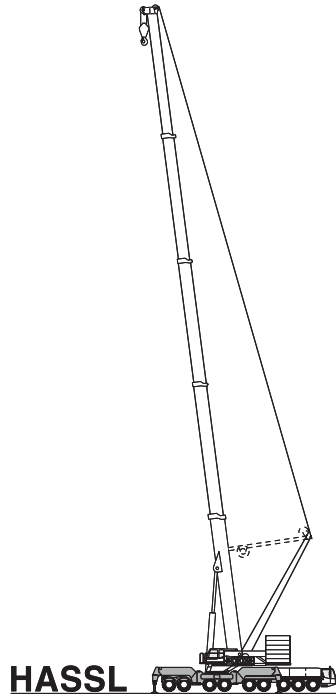
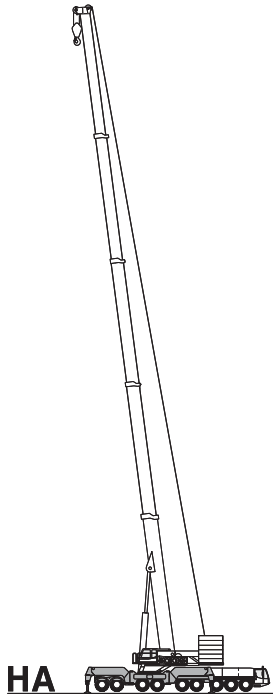


- * Tail swing above ground
- * Durchschwenkhöhe über Boden
- * Giration AR au-dessus du sol
- * Oscillazione posteriore sul livello del suolo
- * Radio de giro trasero sobre el suelo



Duties with reduced outrigger base on request
 Traglasten mit verkürzter Abstützbasis auf Anfrage
 Capacities de levage base réduite sur demande
 Portate con base stabilizzatori ridotta disponibili su richiesta
 Capacidad de carga con bases de apoyo reducidas, disponibles bajo demanda

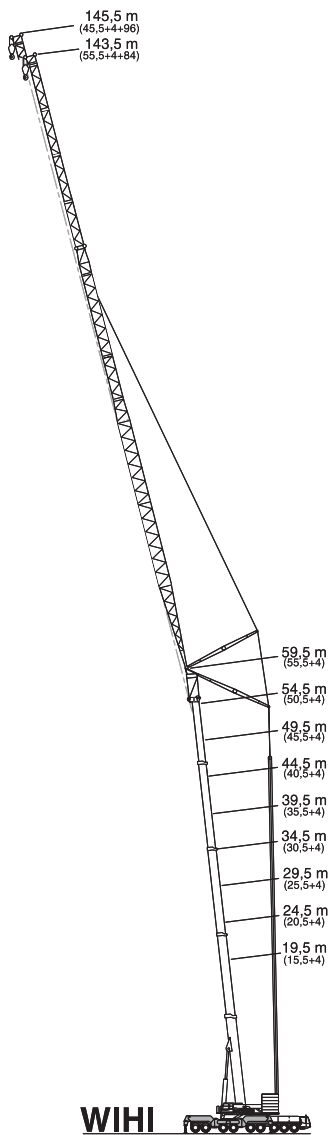
BOOM COMBINATIONS · AUSLEGER-KOMBINATIONEN · COMBINAISONS DE FLÈCHE
COMBINAZIONE BRACCI · COMBINACIÓN PLUMA



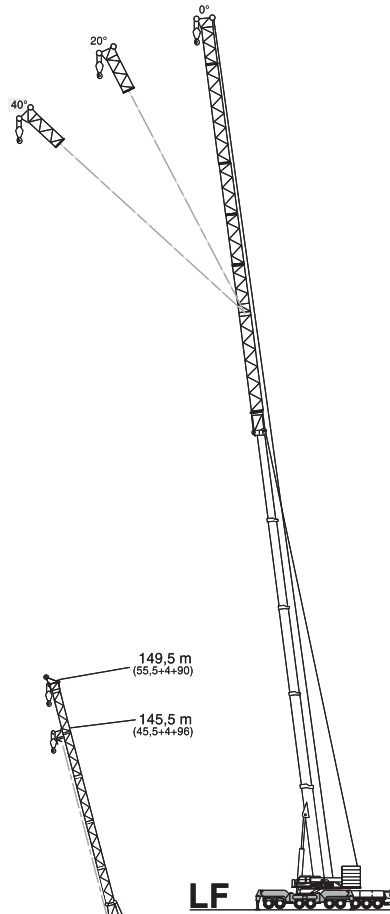
BOOM COMBINATIONS · AUSLEGER-KOMBINATIONEN · COMBINAISONS DE FLÈCHE
COMBINAZIONE BRACCI · COMBINACIÓN PLUMA



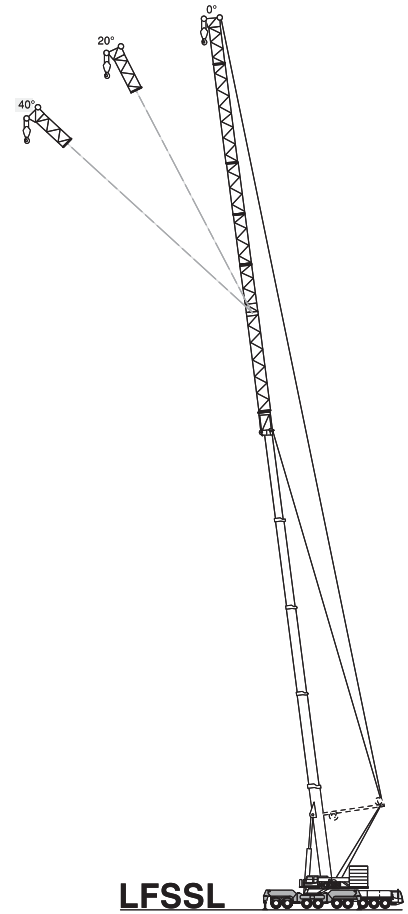
145,5 m
(45,5+4+96)
143,5 m
(55,5+4+84)



WIHI

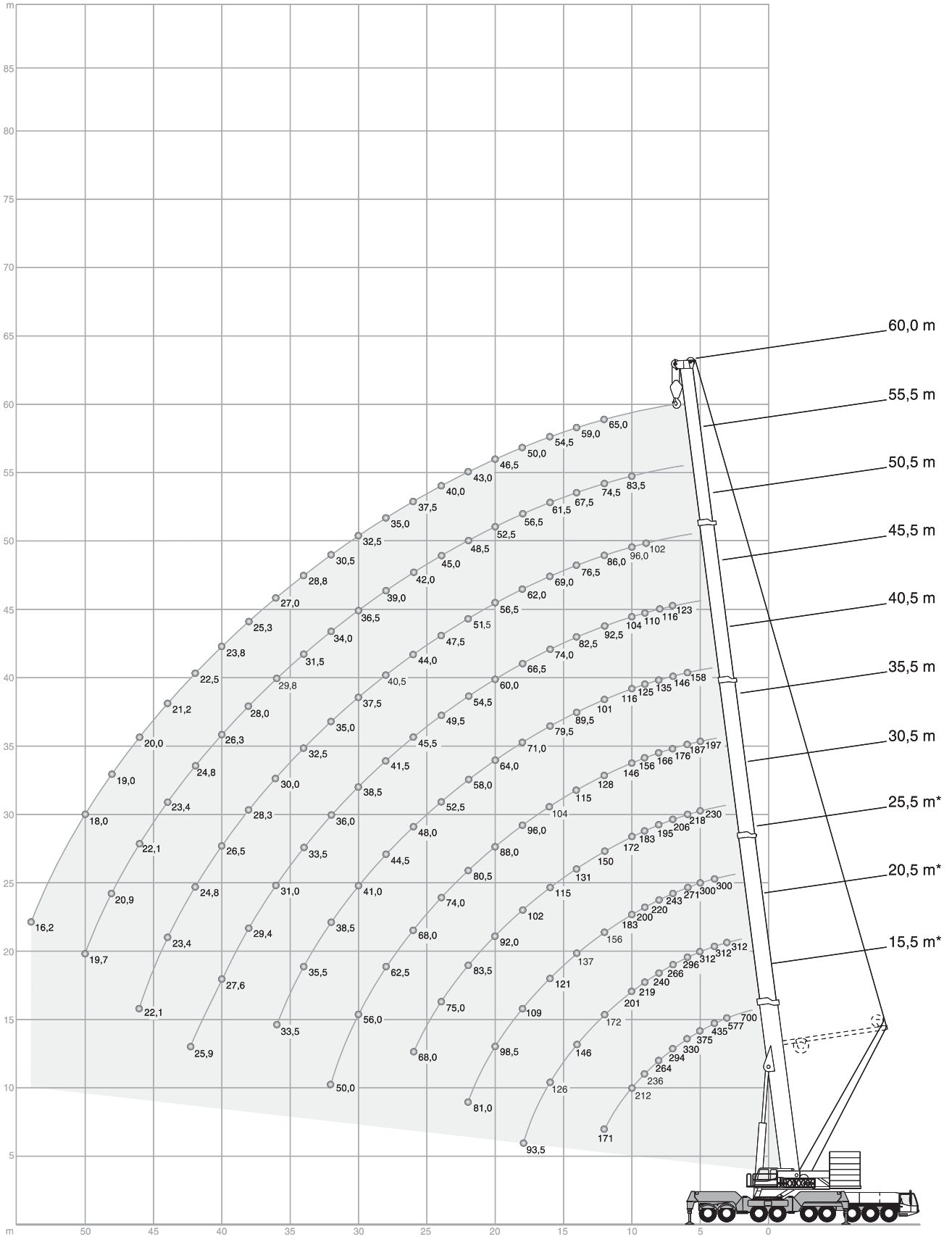


LF



LFSSL

WIHSSL


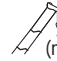



HA

 140 t

 360°

ISO

		 (m)	15,5*	15,5	20,5*	20,5	25,5*	25,5	30,5	35,5	40,5	45,5	50,5	55,5	60,0	
	m	t	t	t	t	t	t	t	t	t	t	t	t	t	t	m
		700,0 ¹⁾	-	-	-	-	-	-	-	-	-	-	-	-	-	
3		577,0 ²⁾	312,0	312,0	312,0	-	-	-	-	-	-	-	-	-	-	3
3,5		473,0 ²⁾	312,0	312,0	312,0	-	-	-	-	-	-	-	-	-	-	3,5
4		435,0 ²⁾	311,0	312,0	310,0	300,0	300,0	-	-	-	-	-	-	-	-	4
4,5		403,0 ²⁾	293,0	312,0	291,0	300,0	292,0	-	-	-	-	-	-	-	-	4,5
5		375,0 ²⁾	276,0	312,0	275,0	300,0	275,0	230,0	197,0	-	-	-	-	-	-	5
6		330,0 ²⁾	248,0	296,0	246,0	271,0	247,0	218,0	187,0	158,0	-	-	-	-	-	6
7		294,0	224,0	266,0	223,0	243,0	223,0	206,0	176,0	146,0	123,0	-	-	-	-	7
8		264,0	205,0	240,0	203,0	220,0	204,0	195,0	166,0	135,0	116,0	-	-	-	-	8
9		236,0	188,0	219,0	186,0	200,0	187,0	183,0	156,0	125,0	110,0	102,0	-	-	-	9
10		212,0	174,0	201,0	172,0	183,0	173,0	172,0	146,0	116,0	104,0	96,0	83,5	-	-	10
12		171,0	150,0	172,0	149,0	156,0	149,0	150,0	128,0	101,0	92,5	86,0	74,5	65,0	-	12
14		-	-	146,0	130,0	137,0	131,0	131,0	115,0	89,5	82,5	76,5	67,5	59,0	-	14
16		-	-	126,0	116,0	121,0	116,0	115,0	104,0	79,5	74,0	69,0	61,5	54,5	-	16
18		-	-	93,5	93,5	109,0	104,0	102,0	96,0	71,0	66,5	62,0	56,5	50,0	-	18
20		-	-	-	-	98,5	92,0	92,0	88,0	64,0	60,0	56,5	52,5	46,5	-	20
22		-	-	-	-	81,0	81,0	83,5	80,5	58,0	54,5	51,5	48,5	43,0	-	22
24		-	-	-	-	-	-	75,0	74,0	52,5	49,5	47,5	45,0	40,0	-	24
26		-	-	-	-	-	-	68,0	68,0	48,0	45,5	44,0	42,0	37,5	-	26
28		-	-	-	-	-	-	-	62,5	44,5	41,5	40,5	39,0	35,0	-	28
30		-	-	-	-	-	-	-	56,0	41,0	38,5	37,5	36,5	32,5	-	30
32		-	-	-	-	-	-	-	50,0	38,5	36,0	35,0	34,0	30,5	-	32
34		-	-	-	-	-	-	-	-	35,5	33,5	32,5	31,5	28,8	-	34
36		-	-	-	-	-	-	-	-	33,5	31,0	30,0	29,8	27,0	-	36
38		-	-	-	-	-	-	-	-	-	29,4	28,3	28,0	25,3	-	38
40		-	-	-	-	-	-	-	-	-	27,6	26,5	26,3	23,8	-	40
42		-	-	-	-	-	-	-	-	-	25,9	24,8	24,8	22,5	-	42
44		-	-	-	-	-	-	-	-	-	-	23,4	23,4	21,2	-	44
46		-	-	-	-	-	-	-	-	-	-	22,1	22,1	20,0	-	46
48		-	-	-	-	-	-	-	-	-	-	-	20,9	19,0	-	48
50		-	-	-	-	-	-	-	-	-	-	-	19,7	18,0	-	50
54		-	-	-	-	-	-	-	-	-	-	-	-	16,2	-	54
58		-	-	-	-	-	-	-	-	-	-	-	-	-	-	58

- * central jack leg + 160 t counterweight
- * Zentralabstützung + 160 t Gegengewicht
- * calage central + contrepoids 160 t
- * cilindro centrale + contrappeso di 160 t
- * pata central + 160 t contrapeso

- 1) over rear, special attachment required, on request
- 1) nach hinten, Sonderausrüstung erforderlich, auf Anfrage
- 1) sur l'arrière, nécessite équipement spécial, sur demande
- 1) sul retro, equipaggiamento speciale necessario, su richiesta
- 1) hacia atrás, requiere una pieza adicional que se proporciona, bajo demanda

- 2) over rear, heavy-lift attachment required
- 2) nach hinten, Schwerlasteinrichtung erforderlich
- 2) sur l'arrière, nécessite équipement levages-lourds
- 2) sul retro, equipaggiamento pesante necessario
- 2) hacia atrás, requiere una pieza adicional para cargas pesadas que se proporciona

2